

EZIO™

4 pt. 24VDC In/4 pt. Relay Out Module with built-in Electromagnetic shield

Delivery
Code
STK

EZIO-4DCIP4RLO
snap-in

EZIO-4DCIP4RLO
\$44

EZIO-4DCIP4RLO
\$54

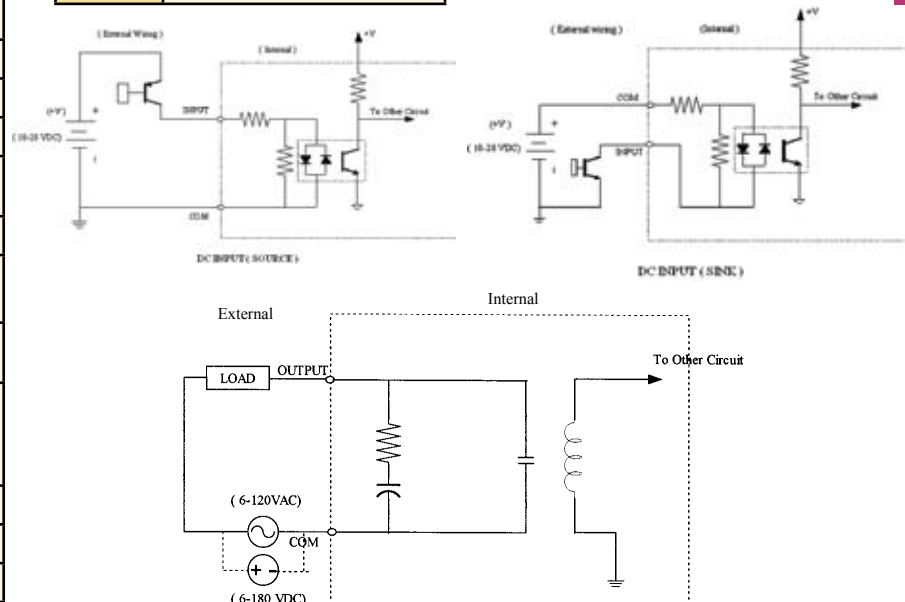


Pinout Information	
Pin No.	EZIO-4DCIP4RLO
1	Input(1)
2	Input(2)
3	Input(3)
4	Input(4)
5	Customer_COM (GND)
6	Output(1)_Normally open
7	Output(2)_Normally open
8	Output(3)_Normally open
9	Output(4)_Normally open
10	Customer_COM (GND)
11	Not Connected

EZIO-4DCIP4RLO
Screw-down

Terminal Block
300 Volt/10 Amp/
14AWG UL Rating

Module Specifications		
DC Input Specs	Number of Inputs	4 (sink/source)
	Input Voltage Range	10-28 VDC
	Peak Voltage	40 VDC
	Input Current	1.92 mA @ 12 VDC 4.0 mA @ 24 VDC
	Maximum Input Current	5 mA @ 28 VDC
	Input Impedance	5.6k @ 10-28 VDC
	ON Voltage Level	> 10 VDC
	OFF Voltage Level	< 2 VDC
	Min. ON Current	1.5 mA
	Min. OFF Current	0.2 mA
	OFF to ON Response	2-4 ms, typical 3 ms
	ON to OFF Response	2-4 ms, typical 3 ms
	Status Indicators	Red LED for each output
	Commons	2 points
Fuse	No Fuse	
Base Power Required (3.3V)	Typical 7.5mA (all inputs on)	
Optical Isolation	2500 Volt	
Wires	1 of 14 AWG, 2 of 18 AWG, 4 of 22 AWG	
Relay Output Specs	Number of Outputs	4
	Output Voltage Range	5-180 VDC or 20-132 VAC
	Output Type	Relay 1 Form A (SPST)
	Output Terminals Consumed	5
	Peak Voltage	180 VDC/200 VAC
	AC Frequency	47-63 Hz
	Maximum Current (resist.)	1A/point
	Maximum Leakage Current	0.5mA @ 130 VAC @ 60Hz
	ON Voltage Drop	1.5 V @ 1 Amp
	Maximum Switching Current	0.5A
	Electromagnetic Shield	2 pF between contact and shield
	Dielectric Strength	250V between contacts, 1500V between contacts and shield
	OFF to ON Response	≤1ms (typical)
	ON to OFF Response	≤1ms (typical)
	Status Indicators	Red LEDs
	Commons	1
	Base Power Required (3.3V)	25mA



For EZ-LINK cables and Terminal boards look at page 9-4