



8 pt. 110VAC Output Module

Delivery Code
STK

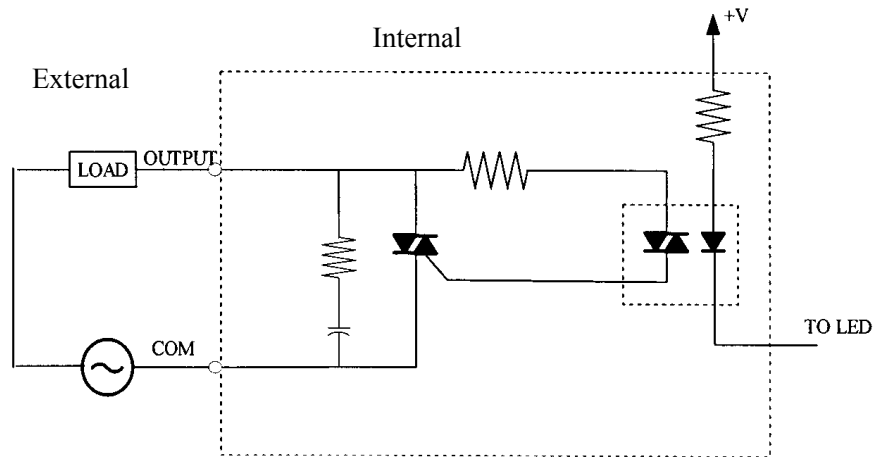
Module Specifications	
Number of Output Points	8
Number of Commons	2
Output Voltage Range	20-132 VAC
Peak Voltage	180 Volt
ON Voltage Drop	1.2 V @ 1A
Maximum Current	1.2 A @ 25°C, 0.8A @ 50°C for each output
Maximum Leakage Current	1mA @ 132 VAC
Maximum Inrush Current	38Amps for 16.6ms
Minimum Load	15mA
OFF to ON Response	max 1/2 cycle
ON to OFF Response	max 1/2 cycle
Fuse	No fuse
Base Power Required (3.3V)	70mA for all 8 on
Optical Isolation	2500 Volt
Wires	1 of 14 AWG, 2 of 18 AWG, 4 of 22 AWG



Terminal Block
300 Volt/10 Amp/
14AWG UL Rating

EZIOP-8ACO
Screw-down

Pinout Information	
Pin No.	EZIO-8ACO
1	Output(1)
2	Output(2)
3	Output(3)
4	Output(4)
5	AC_Common
6	Output(5)
7	Output(6)
8	Output(7)
9	Output(8)
10	AC_Common
11	Not Connected



For EZ-LINK cables and Terminal boards look at page 9-4