

# EZMarquee - 1 Line 40 Characters (Indoor)

## 1 Line 40 Characters - NEMA 12

The 1 Line 40 Char EZMarquee can hold up to a maximum of 40 characters (2") per line and features 1 line of RED/Tri-Color LEDs. EZMarquees are enclosed in NEMA 12 extruded aluminum housing with NEMA ICS 2-230 level of electrical noise immunity. All 1 Line 40 Character models are capable of communicating over RS232 and RS422/485 along with different models for Ethernet, DeviceNet and Profibus connectivity.

### Characteristics:

Character Height:	2"
Characters per Line:	40
Number of Lines:	1
Visibility:	100'

## 1 Line 40 Characters feature:

- 1 line of 40 characters max
- Pre-matched LEDs
- 24 Hour Burn-In tested
- International Character Set
- Hang Mounting
- NEMA 12 Housing
- NEMA ICS 2-230
- 110/220 VAC Power Input
- Surge Protection
- 100,000+ Hours Rated Life

See the different communication interface options available in the charts below



RED Indoor

RED High-bright

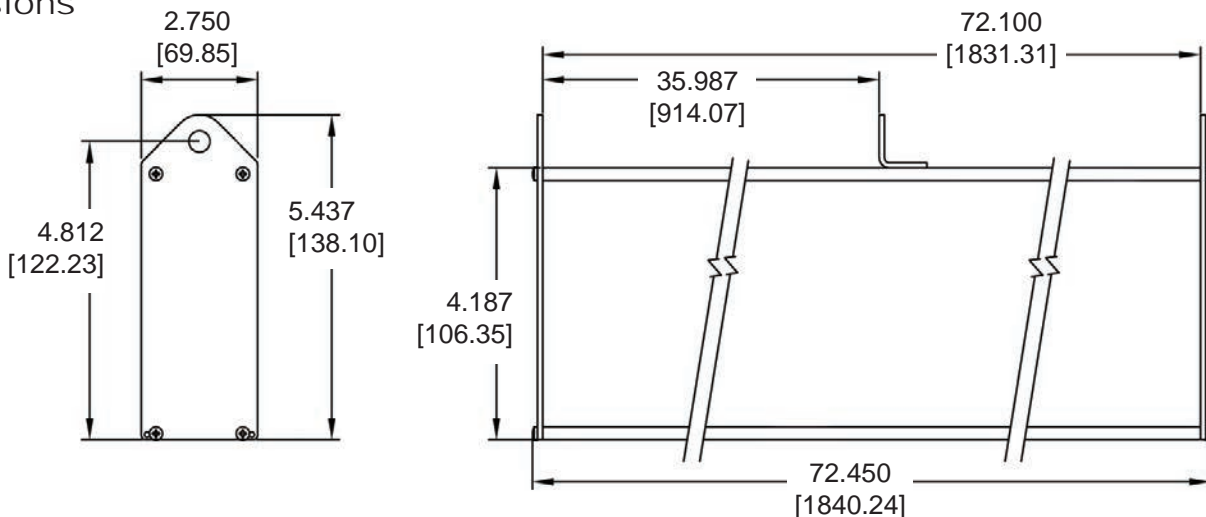
Model Number	Interface	Price	Del.	Model Number	Interface	Price	Del.
<b>EZMR-1L40C</b>	RS232 and RS422/485 only	\$879	STK	<b>EZMRH-1L40C</b>	RS232 and RS422/485 only	\$1759	STK
<b>EZMR-1L40C-E</b>	Ethernet included	\$978	3DAY	<b>EZMRH-1L40C-E</b>	Ethernet included	\$1959	3DAY
<b>EZMR-1L40C-D</b>	DeviceNet included	\$978	3DAY	<b>EZMRH-1L40C-D</b>	DeviceNet included	\$1959	3DAY
<b>EZMR-1L40C-P</b>	Profibus included	\$1088	3DAY	<b>EZMRH-1L40C-P</b>	Profibus included	\$2019	3DAY



TRI color Indoor

Model Number	Interface	Price	Del.
<b>EZMT-1L40C</b>	RS232 and RS422/485 only	\$989	STK
<b>EZMT-1L40C-E</b>	Ethernet included	\$1088	3DAY
<b>EZMT-1L40C-D</b>	DeviceNet included	\$1088	3DAY
<b>EZMT-1L40C-P</b>	Profibus included	\$1138	3DAY

## 1 Line 40 Characters Dimensions





# EZMarquee 1 Line 20 Character and 1 Line 40 Character Selection Guide and Specifications (Indoor)

EZ Marquee Indoor Model Specifications				
Part Number	EZMR-1L20C \$549 EZMR-1L20C-E \$648 EZMR-1L20C-D \$648 EZMR-1L20C-P \$678 EZMRH-1L20C \$1099 EZMRH-1L20C-E \$1299 EZMRH-1L20C-D \$1299 EZMRH-1L20C-P \$1359	EZMT-1L20C \$649 EZMT-1L20C-E \$748 EZMT-1L20C-D \$748 EZMT-1L20C-P \$778	EZMR-1L40C \$879 EZMR-1L40C-E \$978 EZMR-1L40C-D \$978 EZMR-1L40C-P \$1088 EZMRH-1L40C \$1759 EZMRH-1L40C-E \$1959 EZMRH-1L40C-D \$1959 EZMRH-1L40C-P \$2019	EZMT-1L40C \$989 EZMT-1L40C-E \$1088 EZMT-1L40C-D \$1088 EZMT-1L40C-P \$1138
Display Type for Indoor	RED LED	TRI-Color LED	RED LED	TRI-Color LED
Display Type for "H"	RED Sunlight Readable 8000 nits		RED Sunlight Readable 8000 nits	
Specification	1 Line of 20 Char (2")		1 Lines of 40 Char (2")	
Max. Viewable Distance	100 Feet with 2" Characters		200 Feet with 4" Characters	
Power Consumption	15 watts	28 watts	30 watts	60 watts
Agency Approvals	UL, CUL, CE, pending			
Enclosure	NEMA 12 (Indoor only)			
Operating Temperature	0° to 60° C Ambient			
Storage Temperature	-40° to 95° C Ambient			
Humidity	10% to 95% RH, Non-Condensing			
Input Power	110/220 VAC, 47-63Hz			
Electrical Interference	NEMA ICS 2-230 Showering Arc Test			
Electrical Tolerance	ANSI C37.90a-1974 (SWC) Surge With-Stand Capability Test			
Vibration	5 - 55 Hz 2G for 2 hours in the X, Y, and Z axis			
Shock	10G for under 12ms in the X, Y, and Z axis			
Serial Communications	Port 1 RS232; Port 2 RS422/485			
External Dimensions	36.9" x 4.8" x 2.8" (936.44 x 121.43 x 69.85mm)		72.1" x 5.4" x 2.8" (1831.31 x 106.35 x 69.85mm)	
Weight	4.5 lbs	4.8 lbs	8 lbs	8.5 lbs