

EZIO™

4 pt. 110VAC In , 4 pt. 110VAC Out Module

Delivery
Code
STK

	Module Specifications	
AC Power Supply Specs	Voltage Range	
	Number of Inputs	4
AC Input Specs	Input Voltage Range	70-132 VAC
	AC Frequency	47-63 Hz
	Peak Voltage	180 Volt
	Input Current	0.5mA @ 110 VAC
	Maximum Input Current	0.6mA @ 132 VAC
	Input Impedance	200K
	ON Voltage Level	70 VAC
	OFF Voltage Level	40 VAC
	OFF to ON Response	< 10ms
	ON to OFF Response	< 10ms
	Status Indicators	Red LED for each input
	Commons	1 Common
	Fuse	No fuse
	Base Power Required (3.3V)	10mA for all 4 on
	Optical Isolation	2500 Volt
	Wires	1 of 14 AWG, 2 of 18 AWG, 4 of 22 AWG
AC Output Specs	Number of Output Points	4
	Number of Commons	1
	Output Voltage Range	20-132 VAC
	Peak Voltage	180 Volt
	ON Voltage Drop	1.2 V @ 1A
	Maximum Current	1.2 A @ 25°C, 0.8A @ 50°C for each output
	Maximum Leakage Current	1mA @ 132 VAC
	Maximum Inrush Current	38Amps for 16.6ms
	Minimum Load	15mA
	OFF to ON Response	max 1/2 cycle
	ON to OFF Response	max 1/2 cycle
	Fuse	No fuse
	Base Power Required (3.3V)	35mA for all 4 on
	Optical Isolation	2500 Volt
	Wires	1 of 14 AWG, 2 of 18 AWG, 4 of 22 AWG

EZIO-4ACI4ACO
Snap-in

EZIO-4ACI4ACO

\$34



EZIO-4ACI4ACO

\$39

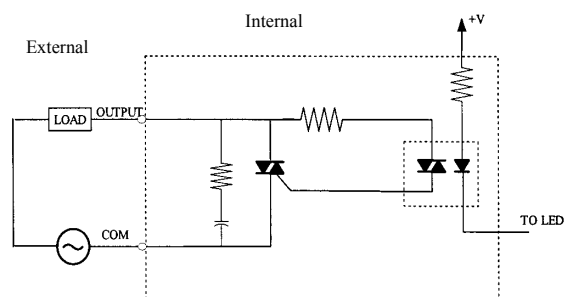
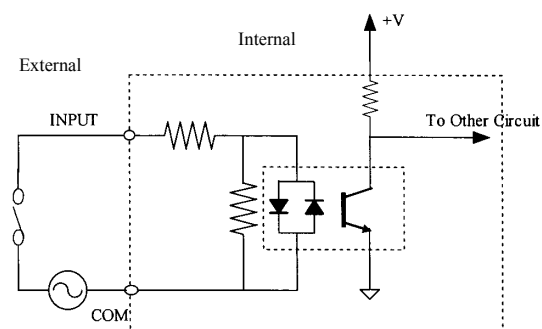


Pinout Information

Pin No.	EZIO-4ACI4ACO
1	Input(1)
2	Input(2)
3	Input(3)
4	Input(4)
5	AC_Common
6	Output(1)
7	Output(2)
8	Output(3)
9	Output(4)
10	AC_Common
11	Not Connected

EZIO-4ACI4ACO
Screw-down

Terminal Block
300 Volt/10
Amp/14AWG
UL Rating



For EZ-LINK cables and Terminal boards look at page 9-4