

# 4 pt. 24VDC In/4 pt. 24VDC Fast Input Module with Interrupt

**EZIO-4DCI4DCIF**  
Snap-in

**EZIO-4DCI4DCIF**  
\$27

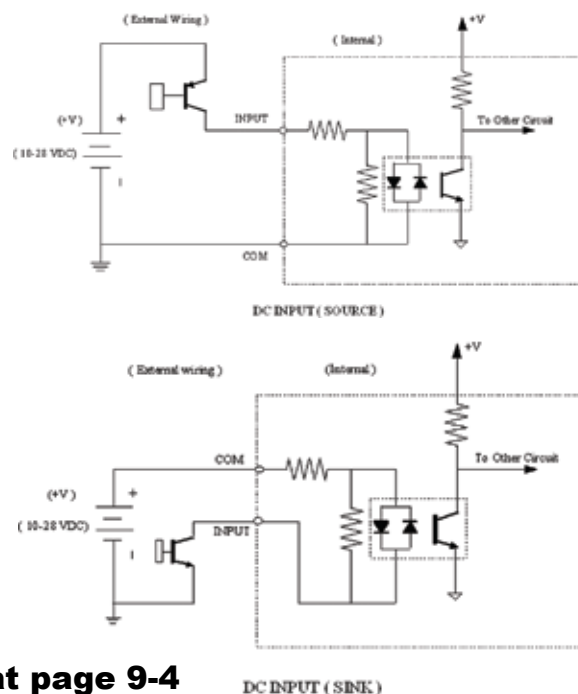
**EZIO-4DCI4DCIF**  
\$34

 Delivery  
Code  
STK

Module Specifications		
DC Power Supply Specs	Voltage Range	
	Optical Isolation	2500 Volt
DC Input Specs (Standard)	Wires	1 of 14 AWG, 2 of 18 AWG, 4 of 22 AWG
	Number of Inputs	4 (sink/source)
	Input Voltage Range	10-28 VDC
	Peak Voltage	40 VDC
	Input Current	1.92 mA @ 12 VDC 4.0 mA @ 24 VDC
	Maximum Input Current	5 mA @ 28 VDC
	Input Impedance	5.6k @ 10-28 VDC
	ON Voltage Level	> 10 VDC
	OFF Voltage Level	< 2 VDC
	Min. ON Current	1.5 mA
	Min. OFF Current	0.2 mA
	OFF to ON Response	2-4 ms, typical 3 ms
	ON to OFF Response	2-4 ms, typical 3 ms
	Status Indicators	Red LED for each output
Commons	1 point	
Base Power Required (3.3V)	Typical 3.5 mA (all inputs on)	
DC Input Specs (Fast)	Number of Inputs	4 (sink/source)
	Input Voltage Range	10-28 VDC
	Peak Voltage	40 VDC
	Input Current	1.92 mA @ 12 VDC 4.0 mA @ 24 VDC
	Maximum Input Current	5 mA @ 28 VDC
	Input Impedance	5.6k @ 10-28 VDC
	ON Voltage Level	> 10 VDC
	OFF Voltage Level	< 2 VDC
	Min. ON Current	1.5 mA
	Min. OFF Current	0.2 mA
	OFF to ON Response	0.2-0.4 ms, typical 0.3 ms For Inputs 5,6 and 7
	ON to OFF Response	0.2-0.4 ms, typical 0.3 ms For Inputs 5,6 and 7
	Interrupt	Low pass filter of 20 $\mu$ s, 60 $\mu$ s typical response time from input interrupt, 1 rung of processing and output activation, For Input # 8
	Status Indicators	Red LED for each output
Commons	1 point	
Fuse	No Fuse	
Base Power Required (3.3V)	Typical 3.5 mA (all inputs on)	

Pinout Information	
Pin No.	EZIO-4DCI4DCIF
1	Input(1)
2	Input(2)
3	Input(3)
4	Input(4)
5	GND
6	Fast Input(5)
7	Fast Input(6)
8	Fast Input(7)
9	Fast Input(8) - Interrupt
10	GND
11	Not Connected

**EZIO-4DCI4DCIF**  
Screw-down

**Terminal Block**  
300 Volt/10  
Amp/14AWG  
UL Rating


For EZ-LINK cables and Terminal boards look at page 9-4