



4 pt. 24VDC Out (Source), 4 pt. 110AC Out Module

Delivery Code
STK

EZIO-4DCOP4ACO
Snap-in

EZIO-4DCOP4ACO
\$34

EZIO-4DCOP4ACO
\$44



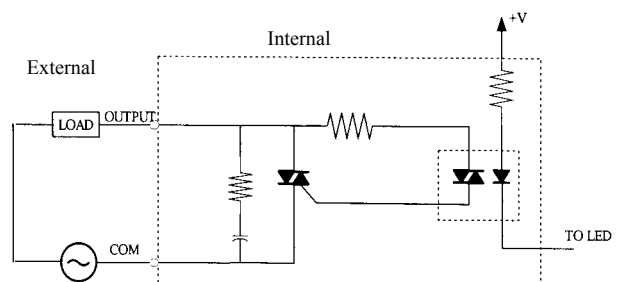
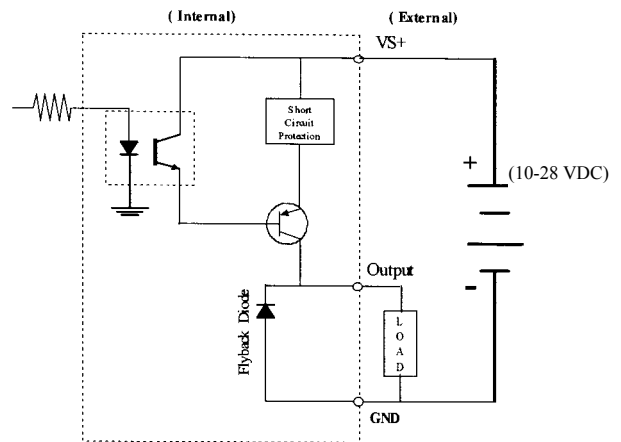
Module Specifications		
AC/DC Power Supply Specs	Voltage Range	
	Number of Outputs	4 (sourcing)
DC Output Specs	Peak Voltage	50.0 VDC
	Maximum Steady State Output Current	0.5A per output, 1.0A max per module @ 50°C
	Maximum Leakage Current	100µA @ 50 VDC @ 50°C
	ON Voltage Drop	2 VDC @ 0.5A
	Maximum Inrush Current	0.8A for 10ms
	OFF to ON Response	< 2µs
	ON to OFF Response	<10µs
	Status Indicators	Red LED for each output
	+V Terminals & Commons	One V+, 1 Common
	Short Circuit Protection	1 Amp per module, turns off outputs upon short circuit detection
	Base Power Required (3.3V)	20mA, for all 4 on
	Optical Isolation	2500 Volt
	Wires	1 of 14 AWG, 2 of 18 AWG, 4 of 22 AWG
	AC Output Specs	Number of Output Points
Number of Commons		1
Output Voltage Range		20-132 VAC
Peak Voltage		180 Volt
ON Voltage Drop		1.2 V @ 1A
Maximum Current		1.2 A @ 25°C, 0.8A @ 50°C for each output
Maximum Leakage Current		1mA @ 132 VAC
Maximum Inrush Current		38Amps for 16.6ms
Minimum Load		15mA
OFF to ON Response		max 1/2 cycle
ON to OFF Response		max 1/2 cycle
Fuse		No fuse
Base Power Required (3.3V)		35mA for all 4 on
Optical Isolation		2500 Volt
Wires	1 of 14 AWG, 2 of 18 AWG, 4 of 22 AWG	

Pinout Information

Pin No.	EZIO-4DCOP4ACO
1	AC Output(1)
2	AC Output(2)
3	AC Output(3)
4	AC Output(4)
5	AC_Common
6	DC Output(5)
7	DC Output(6)
8	DC Output(7)
9	DC Output(8)
10	GND
11	Customer_Supply(+VS)

EZIO-4DCOP4ACO
Screw-down

Terminal Block
300 Volt/10 Amp/14AWG
UL Rating



For EZ-LINK cables and Terminal boards look at page 9-4