



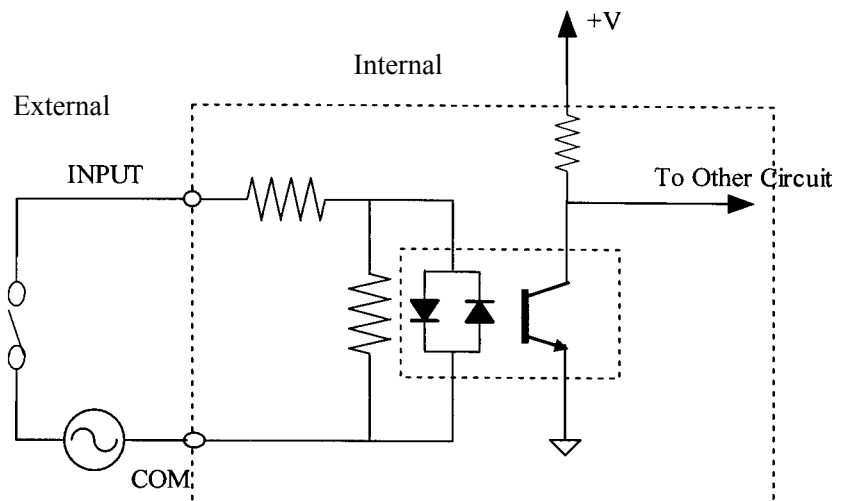
8 pt. 110VAC Input Module

Delivery
Code
STK

Module Specifications	
Number of Inputs	8
Input Voltage Range	70-132 VAC
AC Frequency	47-63 Hz
Peak Voltage	180 Volt
Input Current	0.5mA @ 110 VAC
Maximum Input Current	0.6mA @ 132 VAC
Input Impedance	200K
ON Voltage Level	70 VAC
OFF Voltage Level	40 VAC
OFF to ON Response	< 10ms
ON to OFF Response	< 10ms
Status Indicators	Red LED for each input
Commons	2 Commons
Fuse	No fuse
Base Power Required (3.3V)	20mA for all 8 on
Optical Isolation	2500 Volt
Wires	1 of 14 AWG, 2 of 18 AWG, 4 of 22 AWG



Pinout Information	
Pin No.	EZIO-8ACI
1	Input(1)
2	Input(2)
3	Input(3)
4	Input(4)
5	AC_Common
6	Input(5)
7	Input(6)
8	Input(7)
9	Input(8)
10	AC_Common
11	Not Connected



For EZ-LINK cables and Terminal boards look at page 9-4