



# 8 pt. Analog In Module (Current)

Delivery  
Code  
STK

Module Specifications	
Number of Channels	8 Single Ended
Input Range	0-20mA or 4-20 mA DIP switch selectable
Resolution	12 bit (1-4096)
Step Response	200 $\mu$ s for 95% FS
Crosstalk	1/2 count max, -80db
Input Impedance	62.5 $\Omega$ $\pm$ 0.1%
Absolute Max Ratings	-30mA to 30mA
Converter Type	Successive Approximation
Linearity Error (end to end)	$\pm$ 2 counts
Input Stability	$\pm$ 1 count
Full-scale Calibration Error	$\pm$ 10 counts @ 20mA
Offset Calibration Error	$\pm$ 5 counts
Max Inaccuracy	$\pm$ 0.3% @ 25°C, $\pm$ 0.6% @ 60°C
Accuracy vs. Temperature	$\pm$ 50 ppm/ $^{\circ}$ C typical
Recommended Fuse	.032 Amp, series 217 fast acting

**EZIO-8ANIC**  
Snap-in

**EZIO-8ANIC**  
**\$109**



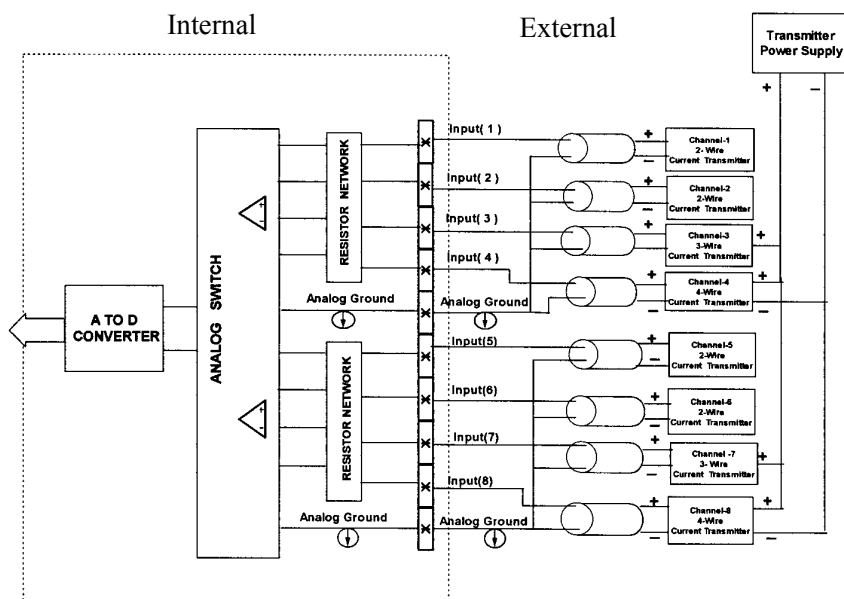
**EZIO-8ANIC**  
**\$119**



**Terminal Block**  
**300 Volt/10**  
**Amp/14AWG UL Rat-**  
**ing**

**EZIO-8ANIC**  
**Screw-down**

Pinout Information	
Pin No.	EZIO-8ANIC
1	Input(1)
2	Input(2)
3	Input(3)
4	Input(4)
5	Customer_COM ( Analog GND)
6	Input(5)
7	Input(6)
8	Input(7)
9	Input(8)
10	Customer_COM ( Analog GND)
11	Not Connected



**For EZ-LINK cables and Terminal boards look at page 9-4**