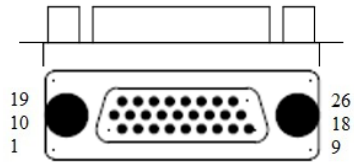
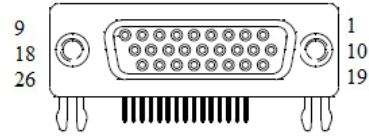


EZ TouchPLC Jr.™ 22 I/O Wiring Connections

Female D-Sub connector on Jr. TouchPLC Unit



Male D-Sub connector from the Terminal Extension Board cable



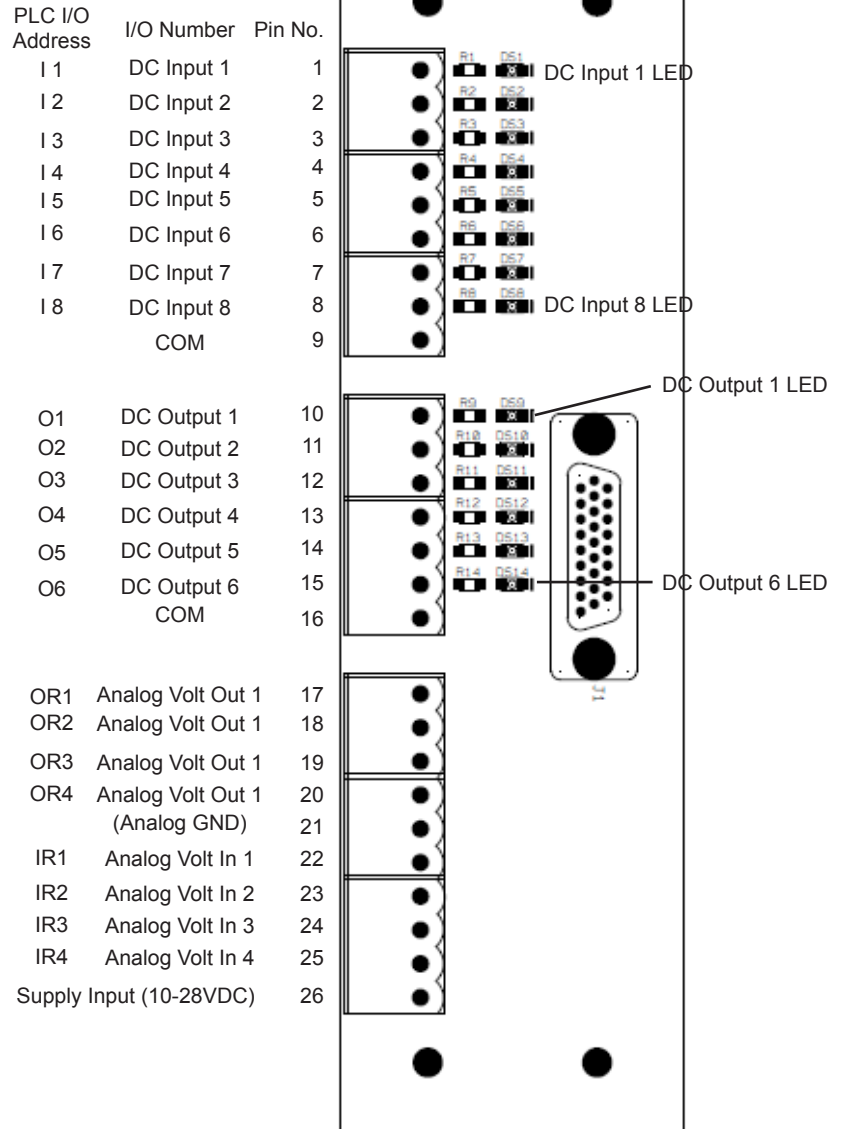
Cables and Accessories

| Model Number | Interface | Price |
|--------------------|---|-------|
| EZ-LINK-JTPLC-22IO | 22 I/O Terminal Extension Board for Jr. Touch PLC | |
| EZ-CBL-JTPLC-22IO | Connector Cable for 22 I/O Terminal Extension Board for Jr. Touch PLC | |

22 I/O PIN Configuration

| TB1 Pinout Information | |
|------------------------|---------------------------|
| Pin No. | Pin Function |
| 1 | DC Input(1) Source |
| 2 | DC Input(2) Source |
| 3 | DC Input(3) Source |
| 4 | DC Input(4) Source |
| 5 | DC Input(5) Source |
| 6 | DC Input(6) Source |
| 7 | DC Input(7) Source |
| 8 | DC Input(8) Source |
| 9 | COM |
| 10 | DC Output(1) Source |
| 11 | DC Output(2) Source |
| 12 | DC Output(3) Source |
| 13 | DC Output(4) Source |
| 14 | DC Output(5) Source |
| 15 | DC Output(6) Source |
| 16 | COM |
| 17 | Analog Voltage Output (1) |
| 18 | Analog Voltage Output (2) |
| 19 | Analog Voltage Output (3) |
| 20 | Analog Voltage Output (4) |
| 21 | Customer_COM (Analog GND) |
| 22 | Analog Voltage Input (1) |
| 23 | Analog Voltage Input (2) |
| 24 | Analog Voltage Input (3) |
| 25 | Analog Voltage Input (4) |
| 26 | Supply Input (10-28 VDC) |

22 I/O Terminal Extension Board



EZSeries TouchPLC