

# EZMarquee - 1 Line 10 Characters (Outdoor)

## 1 Line 10 Characters - NEMA 4X

The 1 Line 10 Char EZMarquee can hold up to a maximum of 10 characters (2") per line and features 1 line of RED/Tri-Color LEDs. EZMarquees are enclosed in NEMA 4X extruded aluminum housing with NEMA ICS 2-230 level of electrical noise immunity. All 1 Line 10 Character models are capable of communicating over RS232 and RS422/485 along with different models for Ethernet, DeviceNet and Profibus connectivity.

### Characteristics:

Character Height:	2"
Characters per Line:	10
Number of Lines:	1
Visibility:	100'

## 1 Line 10 Characters feature:

- 1 line of 10 characters max
- Pre-matched LEDs
- 24 Hour Burn-In tested
- International Character Set
- Hang Mounting
- NEMA 4/4X Outdoor Housing
- NEMA ICS 2-230
- 110/220 VAC Power Input
- Surge Protection
- 100,000+ Hours Rated Life

See the different communication interface options available in the charts below



RED Outdoor



TRI color Outdoor

Model Number	Interface	Price	Del.
<b>EZMR-1L10C-OUT</b>	RS232 and RS422/485 only	\$899	STK
<b>EZMR-1L10C-E-OUT</b>	Ethernet included	\$1149	3DAY
<b>EZMR-1L10C-D-OUT</b>	DeviceNet included	\$1249	3DAY
<b>EZMR-1L10C-P-OUT</b>	Profibus included	\$1199	3DAY

Model Number	Interface	Price	Del.
<b>EZMT-1L10C-OUT</b>	RS232 and RS422/485 only	\$1199	STK
<b>EZMT-1L10C-E-OUT</b>	Ethernet included	\$1399	3DAY
<b>EZMT-1L10C-D-OUT</b>	DeviceNet included	\$1499	3DAY
<b>EZMT-1L10C-P-OUT</b>	Profibus included	\$1599	3DAY

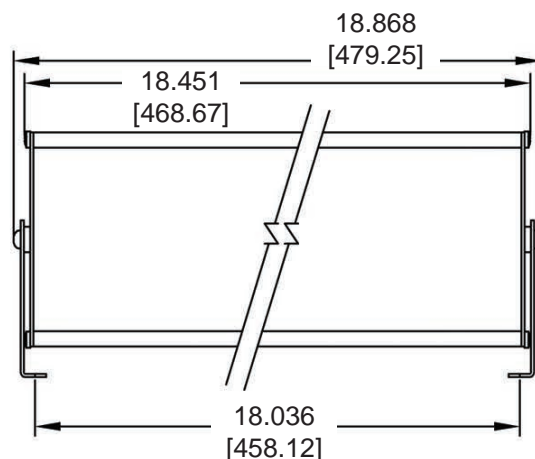
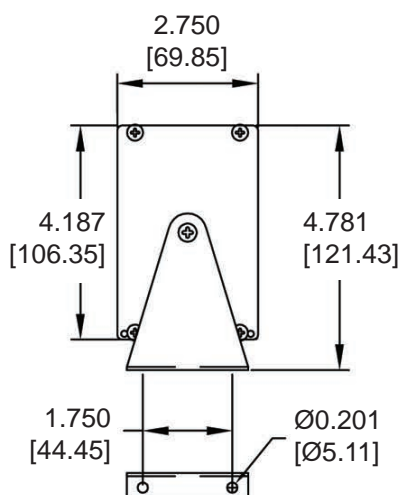
### RED Outdoor Highbright

Model Number	Interface	Price	Del.
<b>EZMRH-1L10C-OUT</b>	RS232 and RS422/485 only	\$1399	STK
<b>EZMRH-1L10C-E-OUT</b>	Ethernet included	\$1699	3DAY
<b>EZMRH-1L10C-D-OUT</b>	DeviceNet included	\$1899	3DAY
<b>EZMRH-1L10C-P-OUT</b>	Profibus included	\$1799	3DAY

### TRI color Outdoor High-Bright

Model Number	Interface	Price	Del.
<b>EZMTH-1L10C-OUT</b>	RS232 and RS422/485 only	\$2099	STK
<b>EZMTH-1L10C-E-OUT</b>	Ethernet included	\$2199	3DAY

### 1 Line 10 Characters Dimensions



MOUNTING HOLE CENTERS



# EZMarquee 1 Line 10 Character and 2 Line 10 Character Selection Guide and Specifications (Outdoor)

EZ Marquee Outdoor Model Specifications				
Part Number	EZMR-1L10C-OUT \$899 EZMR-1L10C-E-OUT \$1149 EZMR-1L10C-D-OUT \$1249 EZMR-1L10C-P-OUT \$1199 EZMRH-1L10C-OUT \$1399 EZMRH-1L10C-E-OUT \$1699 EZMRH-1L10C-D-OUT \$1899 EZMRH-1L10C-P-OUT \$1799	EZMT-1L10C-OUT \$1199 EZMT-1L10C-E-OUT \$1399 EZMT-1L10C-D-OUT \$1499 EZMT-1L10C-P-OUT \$1599 EZMTH-1L10C-OUT \$2099 EZMTH-1L-10C-E-OUT \$2199	EZMR-2L10C-OUT \$1399 EZMR-2L10C-E-OUT \$1799 EZMR-2L10C-D-OUT \$1799 EZMR-2L10C-P-OUT \$1899 EZMRH-2L10C-OUT \$2249 EZMRH-2L10C-E-OUT \$2499 EZMRH-2L10C-D-OUT \$2499 EZMRH-2L10C-P-OUT \$2599	EZMT-2L10C-OUT \$1799 EZMT-2L10C-E-OUT \$1899 EZMT-2L10C-D-OUT \$1899 EZMT-2L10C-P-OUT \$1999 EZMTH-2L10C-OUT \$3199 EZMTH-2L10C-E-OUT \$3399
Display Type for Indoor	RED LED	TRI-Color LED	RED LED	TRI-Color LED
Display Type for "H"	RED Sunlight Readable 8000 nits		RED Sunlight Readable 8000 nits	
Specification	1 Line of 10 Char (2")		2 Lines of 10 Char (2")	
Max. Viewable Distance	100 Feet with 2" Characters		200 Feet with 4" Characters	
Power Consumption	8 watts	14 watts	15 watts	28 watts
Agency Approvals	UL, CUL, CE, pending			
Enclosure	NEMA 4/4X (Outdoor rated)			
Operating Temperature	-20° to 60° C Ambient			
Storage Temperature	-40° to 95° C Ambient			
Humidity	10% to 95% RH, Non-Condensing			
Input Power	110/220 VAC, 47-63Hz			
Electrical Interference	NEMA ICS 2-230 Showering Arc Test			
Electrical Tolerance	ANSI C37.90a-1974 (SWC) Surge With-Stand Capability Test			
Vibration	5 - 55 Hz 2G for 2 hours in the X, Y, and Z axis			
Shock	10G for under 12ms in the X, Y, and Z axis			
Serial Communications	Port 1 RS232; Port 2 RS422/485			
External Dimensions	18.9" x 4.8" x 2.8" (479.25 x 121.43 x 69.85mm)		18.9" x 6.2" x 2.8" (479.25 x 156.13 x 69.85mm)	
Weight	2.8 lbs	3 lbs	5 lbs	5.2 lbs