

# EZMarquee - 1 Line 20 Characters (Indoor)

## 1 Line 20 Characters - NEMA 12

The 1 Line 20 Char EZMarquee can hold up to a maximum of 20 characters (2") per line and features 1 line of RED/Tri-Color LEDs. EZMarquees are enclosed in NEMA 12 extruded aluminum housing with NEMA ICS 2-230 level of electrical noise immunity.

All 1 Line 20 Character models are capable of communicating over RS232 and RS422/485 along with different models for Ethernet, DeviceNet and Profibus connectivity.

### Characteristics:

Character Height:	2"
Characters per Line:	20
Number of Lines:	1
Visibility:	100'

## 1 Line 20 Characters feature:

- 1 line of 10 characters max
- Pre-matched LEDs
- 24 Hour Burn-In tested
- International Character Set
- Hang Mounting
- NEMA 12 Housing
- NEMA ICS 2-230
- 110/220 VAC Power Input
- Surge Protection
- 100,000+ Hours Rated Life

See the different communication interface options available in the charts below



RED Indoor



TRI color Indoor

Model Number	Interface	Price	Del.
<b>EZMR-1L20C</b>	RS232 and RS422/485 only	\$649	STK
<b>EZMR-1L20C-E</b>	Ethernet included	\$549	3DAY
<b>EZMR-1L20C-D</b>	DeviceNet included	\$749	3DAY
<b>EZMR-1L20C-P</b>	Profibus included	\$779	3DAY

Model Number	Interface	Price	Del.
<b>EZMT-1L20C</b>	RS232 and RS422/485 only	\$749	STK
<b>EZMT-1L20C-E</b>	Ethernet included	\$899	3DAY
<b>EZMT-1L20C-D</b>	DeviceNet included	\$899	3DAY
<b>EZMT-1L20C-P</b>	Profibus included	\$999	3DAY

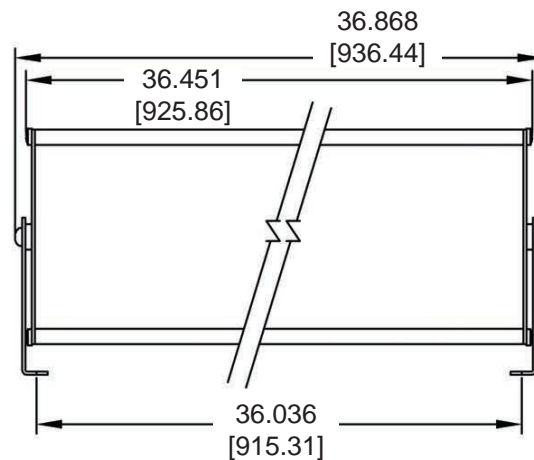
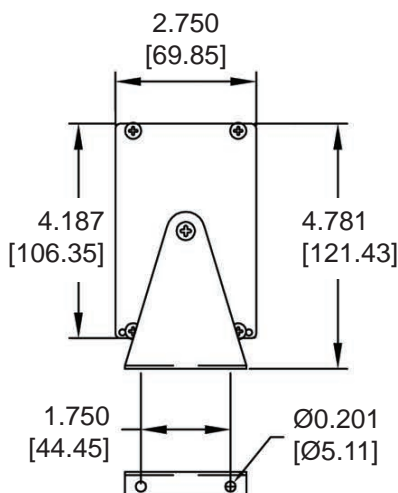
RED High-bright

Model Number	Interface	Price	Del.
<b>EZMRH-1L20C</b>	RS232 and RS422/485 only	\$1299	STK
<b>EZMRH-1L20C-E</b>	Ethernet included	\$1499	3DAY
<b>EZMRH-1L20C-D</b>	DeviceNet included	\$1499	3DAY
<b>EZMRH-1L20C-P</b>	Profibus included	\$1599	3DAY

TRI color Indoor High-Bright

Model Number	Interface	Price	Del.
<b>EZMTH-1L20C</b>	RS232 and RS422/485 only	\$1299	STK
<b>EZMTH-1L20C-E</b>	Ethernet included	\$1399	3DAY

### 1 Line 20 Characters Dimensions



MOUNTING HOLE CENTERS



# EZMarquee 1 Line 20 Character and 1 Line 40 Character Selection Guide and Specifications (Indoor)

EZ Marquee Indoor Model Specifications				
Part Number	EZMR-1L20C \$649 EZMR-1L20C-E \$549 EZMR-1L20C-D \$749 EZMR-1L20C-P \$799 EZMRH-1L20C \$1299 EZMRH-1L20C-E \$1499 EZMRH-1L20C-D \$1499 EZMRH-1L20C-P \$1599	EZMT-1L20C \$749 EZMT-1L20C-E \$899 EZMT-1L20C-D \$899 EZMT-1L20C-P \$999 EZMTH-1L20C \$1299 EZMTH-1L20C-E \$1399	EZMR-1L40C \$1049 EZMR-1L40C-E \$1149 EZMR-1L40C-D \$1149 EZMR-1L40C-P \$1259 EZMRH-1L40C \$2099 EZMRH-1L40C-E \$2259 EZMRH-1L40C-D \$2259 EZMRH-1L40C-P \$2399	EZMT-1L40C \$1199 EZMT-1L40C-E \$1299 EZMT-1L40C-D \$1299 EZMT-1L40C-P \$1399 EZMTH-1L40C \$2299 EZMTH-1L40C-E \$2499
Display Type for Indoor	RED LED	TRI-Color LED	RED LED	TRI-Color LED
Display Type for "H"	RED Sunlight Readable 8000 nits		RED Sunlight Readable 8000 nits	
Specification	1 Line of 20 Char (2")		1 Lines of 40 Char (2")	
Max. Viewable Distance	100 Feet with 2" Characters		200 Feet with 4" Characters	
Power Consumption	15 watts	28 watts	30 watts	60 watts
Agency Approvals	UL, CUL, CE, pending			
Enclosure	NEMA 12 (Indoor only)			
Operating Temperature	-20° to 60° C Ambient			
Storage Temperature	-40° to 95° C Ambient			
Humidity	10% to 95% RH, Non-Condensing			
Input Power	110/220 VAC, 47-63Hz			
Electrical Interference	NEMA ICS 2-230 Showering Arc Test			
Electrical Tolerance	ANSI C37.90a-1974 (SWC) Surge With-Stand Capability Test			
Vibration	5 - 55 Hz 2G for 2 hours in the X, Y, and Z axis			
Shock	10G for under 12ms in the X, Y, and Z axis			
Serial Communications	Port 1 RS232; Port 2 RS422/485			
External Dimensions	36.9" x 4.8" x 2.8" (936.44 x 121.43 x 69.85mm)		72.1" x 5.4" x 2.8" (1831.31 x 106.35 x 69.85mm)	
Weight	4.5 lbs	4.8 lbs	8 lbs	8.5 lbs