

EZMarquee - 2 Lines 20 Characters (Indoor)

2 Lines 20 Characters - NEMA 12

The 2 Line 20 Char EZMarquee can hold up to a maximum of 20 characters (2") per line and features 2 lines of RED/Tri-Color LEDs. EZMarquees are enclosed in NEMA 12 extruded aluminum housing with NEMA ICS 2-230 level of electrical noise immunity.

All 2 Line 20 Character models are capable of communicating over RS232 and RS422/485 along with different models for Ethernet, DeviceNet and Profibus connectivity.

Characteristics:

Character Height:	2" / 4"
Characters per Line:	20 / 10
Number of Lines:	2 / 1
Visibility:	100' / 200'

2 Lines 20 Characters feature:

- 2 lines of 20 characters max
- Pre-matched LEDs
- 24 Hour Burn-In tested
- International Character Set
- Hang Mounting
- NEMA 12 Housing
- NEMA ICS 2-230
- 110/220 VAC Power Input
- Surge Protection
- 100,000+ Hours Rated Life

See the different communication interface options available in the charts below



RED Indoor



TRI color Indoor

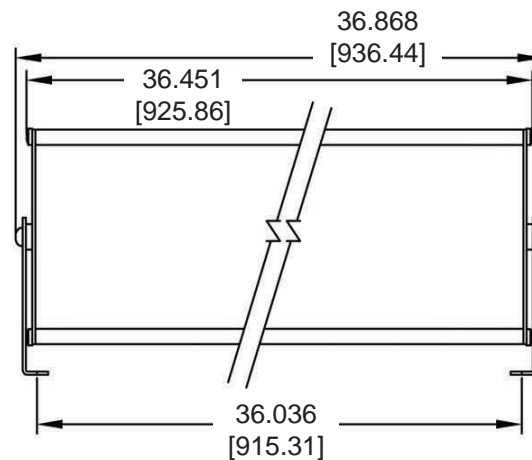
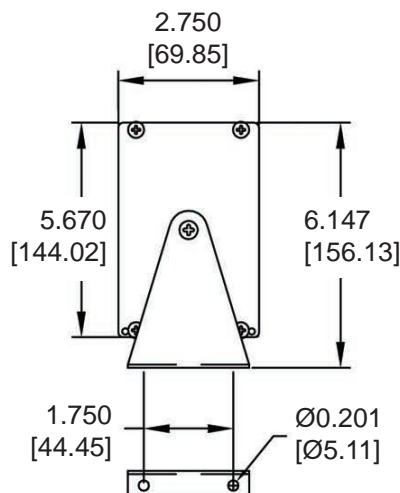
Model Number	Interface	Price	Del.
EZMR-2L20C	RS232 and RS422/485 only	\$879	STK
EZMR-2L20C-E	Ethernet included	\$978	3DAY
EZMR-2L20C-D	DeviceNet included	\$978	3DAY
EZMR-2L20C-P	Profibus included	\$1018	3DAY

Model Number	Interface	Price	Del.
EZMT-2L20C	RS232 and RS422/485 only	\$989	STK
EZMT-2L20C-E	Ethernet included	\$1088	3DAY
EZMT-2L20C-D	DeviceNet included	\$1088	3DAY
EZMT-2L20C-P	Profibus included	\$1128	3DAY

RED High-bright

Model Number	Interface	Price	Del.
EZMRH-2L20C	RS232 and RS422/485 only	\$1759	STK
EZMRH-2L20C-E	Ethernet included	\$1959	3DAY
EZMRH-2L20C-D	DeviceNet included	\$1959	3DAY
EZMRH-2L20C-P	Profibus included	\$2039	3DAY

2 Lines 20 Characters Dimensions



MOUNTING HOLE CENTERS



EZMarquee 2 Line **20** Character and 2 Line 40 Character **Selection Guide and Specifications (Indoor)**

EZ Marquee Indoor Model Specifications				
Part Number	EZMR-2L20C \$879 EZMR-2L20C-E \$978 EZMR-2L20C-D \$978 EZMR-2L20C-P \$1018 EZMRH-2L20C \$1759 EZMRH-2L20C-E \$1959 EZMRH-2L20C-D \$1959 EZMRH-2L20C-P \$2039	EZMT-2L20C \$989 EZMT-2L20C-E \$1088 EZMT-2L20C-D \$1088 EZMT-2L20C-P \$1128	EZMR-2L40C \$1599 EZMR-2L40C-E \$1698 EZMR-2L40C-D \$1698 EZMR-2L40C-P \$1728 EZMRH-2L40C \$3199 EZMRH-2L40C-E \$3399 EZMRH-2L40C-D \$3399 EZMRH-2L40C-P \$3459	EZMT-2L40C \$1899 EZMT-2L40C-E \$1998 EZMT-2L40C-D \$1998 EZMT-2L40C-P \$2028
Display Type for Indoor	RED LED	TRI-Color LED	RED LED	TRI-Color LED
Display Type for "H"	RED Sunlight Readable 8000 nits		RED Sunlight Readable 8000 nits	
Specification	2 Lines of 20 Char (2")		2 Lines of 40 Char (2")	
Max. Viewable Distance	200 Feet with 4" Characters			
Power Consumption	30 watts	55 watts	54 watts	100 watts
Agency Approvals	UL, CUL, CE, pending			
Enclosure	NEMA 12 (Indoor only)			
Operating Temperature	0° to 60° C Ambient			
Storage Temperature	-40° to 95° C Ambient			
Humidity	10% to 95% RH, Non-Condensing			
Input Power	110/220 VAC, 47-63Hz			
Electrical Interference	NEMA ICS 2-230 Showering Arc Test			
Electrical Tolerance	ANSI C37.90a-1974 (SWC) Surge With-Stand Capability Test			
Vibration	5 - 55 Hz 2G for 2 hours in the X, Y, and Z axis			
Shock	10G for under 12ms in the X, Y, and Z axis			
Serial Communications	Port 1 RS232; Port 2 RS422/485			
External Dimensions	36.1" x 11.7" x 2.8" (936.44 x 156.13 x 69.85mm)		72.1" x 5.4" x 2.8" (1831.31 x 106.35 x 69.85mm)	
Weight	8 lbs	8.5 lbs	15 lbs	16 lbs