

# EZMarquee - 2 Lines 40 Characters (Indoor)

## 2 Lines 40 Characters - NEMA 12

The 2 Line 40 Char EZMarquee can hold up to a maximum of 40 characters (2") per line and features 2 lines of RED/Tri-Color LEDs. EZMarquees are enclosed in NEMA 12 extruded aluminum housing with NEMA ICS 2-230 level of electrical noise immunity.

All 2 Line 40 Character models are capable of communicating over RS232 and RS422/485 along with different models for Ethernet, DeviceNet and Profibus connectivity.

### Characteristics:

Character Height:	2" / 4"
Characters per Line:	40 / 20
Number of Lines:	2 / 1
Visibility:	100' / 200'

## 2 Lines 40 Characters feature:

- 2 lines of 40 characters max
- Pre-matched LEDs
- 24 Hour Burn-In tested
- International Character Set
- Hang Mounting
- NEMA 12 Housing
- NEMA ICS 2-230
- 110/220 VAC Power Input
- Surge Protection
- 100,000+ Hours Rated Life

See the different communication interface options available in the charts below



RED Indoor

RED High-bright

Model Number	Interface	Price	Del.
<b>EZMR-2L40C</b>	RS232 and RS422/485 only	\$1,599	3DAY
<b>EZMR-2L40C-E</b>	Ethernet included	\$1,698	3DAY
<b>EZMR-2L40C-D</b>	DeviceNet included	\$1,698	3DAY
<b>EZMR-2L40C-P</b>	Profibus included	\$1,728	3DAY

Model Number	Interface	Price	Del.
<b>EZMRH-2L40C</b>	RS232 and RS422/485 only	\$3199	3DAY
<b>EZMRH-2L40C-E</b>	Ethernet included	\$3399	3DAY
<b>EZMRH-2L40C-D</b>	DeviceNet included	\$3399	3DAY
<b>EZMRH-2L40C-P</b>	Profibus included	\$3459	3DAY

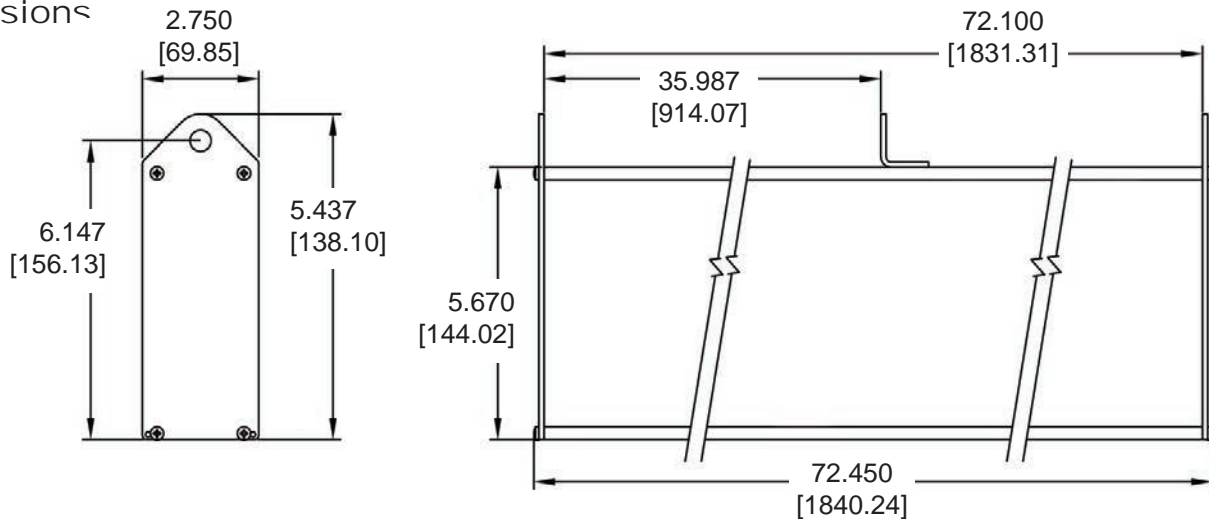


TRI color Indoor

Model Number	Interface	Price	Del.
<b>EZMT-2L40C</b>	RS232 and RS422/485 only	\$1,899	3DAY
<b>EZMT-2L40C-E</b>	Ethernet included	\$1,998	3DAY
<b>EZMT-2L40C-D</b>	DeviceNet included	\$1,998	3DAY
<b>EZMT-2L40C-P</b>	Profibus included	\$2,028	3DAY

## 2 Lines 40 Characters

### Dimensions





# EZMarquee 2 Line **20** Character and 2 Line 40 Character **Selection Guide and Specifications (Indoor)**

EZ Marquee Indoor Model Specifications				
Part Number	EZMR-2L20C \$879 EZMR-2L20C-E \$978 EZMR-2L20C-D \$978 EZMR-2L20C-P \$1018 EZMRH-2L20C \$1759 EZMRH-2L20C-E \$1959 EZMRH-2L20C-D \$1959 EZMRH-2L20C-P \$2039	EZMT-2L20C \$989 EZMT-2L20C-E \$1088 EZMT-2L20C-D \$1088 EZMT-2L20C-P \$1128	EZMR-2L40C \$1599 EZMR-2L40C-E \$1698 EZMR-2L40C-D \$1698 EZMR-2L40C-P \$1728 EZMRH-2L40C \$3199 EZMRH-2L40C-E \$3399 EZMRH-2L40C-D \$3399 EZMRH-2L40C-P \$3459	EZMT-2L40C \$1899 EZMT-2L40C-E \$1998 EZMT-2L40C-D \$1998 EZMT-2L40C-P \$2028
Display Type for Indoor	RED LED	TRI-Color LED	RED LED	TRI-Color LED
Display Type for "H"	RED Sunlight Readable 8000 nits		RED Sunlight Readable 8000 nits	
Specification	2 Lines of 20 Char (2")		2 Lines of 40 Char (2")	
Max. Viewable Distance	200 Feet with 4" Characters			
Power Consumption	30 watts	55 watts	54 watts	100 watts
Agency Approvals	UL, CUL, CE, pending			
Enclosure	NEMA 12 (Indoor only)			
Operating Temperature	0° to 60° C Ambient			
Storage Temperature	-40° to 95° C Ambient			
Humidity	10% to 95% RH, Non-Condensing			
Input Power	110/220 VAC, 47-63Hz			
Electrical Interference	NEMA ICS 2-230 Showering Arc Test			
Electrical Tolerance	ANSI C37.90a-1974 (SWC) Surge With-Stand Capability Test			
Vibration	5 - 55 Hz 2G for 2 hours in the X, Y, and Z axis			
Shock	10G for under 12ms in the X, Y, and Z axis			
Serial Communications	Port 1 RS232; Port 2 RS422/485			
External Dimensions	36.1" x 11.7" x 2.8" (936.44 x 156.13 x 69.85mm)		72.1" x 5.4" x 2.8" (1831.31 x 106.35 x 69.85mm)	
Weight	8 lbs	8.5 lbs	15 lbs	16 lbs