

EZMarquee - 4 Lines 40 Characters (Indoor)

4 Lines 40 Characters - NEMA 12

The 4 Line 40 Char EZMarquee can hold up to a maximum of 40 characters (2") per line and features 4 lines of RED/Tri-Color LEDs. EZMarquees are enclosed in NEMA 12 extruded aluminum housing with NEMA ICS 2-230 level of electrical noise immunity.

All 4 Line 40 Character models are capable of communicating over RS232 and RS422/485 along with different models for Ethernet, DeviceNet and Profibus connectivity.

Characteristics:

Character Height: 2" / 4" / 6" / 8"
 Characters per Line: 40 / 20 / 13 / 10
 Number of Lines: 4 / 2 / 1 / 1
 Visibility: 100' / 200' / 300' / 400'

4 Lines 40 Characters feature:

- 4 lines of 40 characters max
- Pre-matched LEDs
- 24 Hour Burn-In tested
- International Character Set
- Hang Mounting
- NEMA 12 Housing
- NEMA ICS 2-230
- 110/220 VAC Power Input
- Surge Protection
- 100,000+ Hours Rated Life

See the different communication interface options available in the charts below



RED Indoor

TRI color Indoor

Model Number	Interface	Price	Del.
EZMR-4L40C	RS232 and RS422/485 only	\$2,399	3DAY
EZMR-4L40C-E	Ethernet included	\$2,498	3DAY
EZMR-4L40C-D	DeviceNet included	\$2,498	3DAY
EZMR-4L40C-P	Profibus included	\$2,548	3DAY

Model Number	Interface	Price	Del.
EZMT-4L40C	RS232 and RS422/485 only	\$3,299	3DAY
EZMT-4L40C-E	Ethernet included	\$3,398	3DAY
EZMT-4L40C-D	DeviceNet included	\$3,398	3DAY
EZMT-4L40C-P	Profibus included	\$3,448	3DAY

RED High-bright

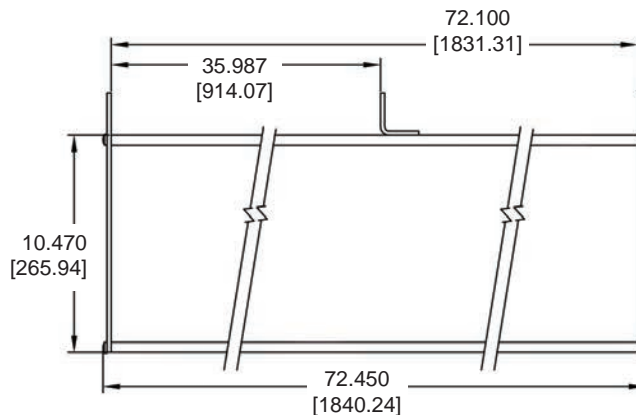
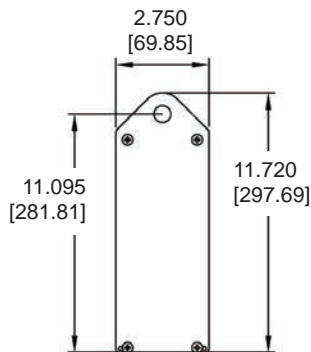
(TOP)

(BOTTOM)

Model Number	Interface	Price	Del.
EZMRH-4L40C	RS232 and RS422/485 only	\$4799	3DAY
EZMRH-4L40C-E	Ethernet included	\$4999	3DAY
EZMRH-4L40C-D	DeviceNet included	\$4999	3DAY
EZMRH-4L40C-P	Profibus included	\$5099	3DAY

(TOP)

4 Lines 40 Characters Dimensions





EZMarquee 4 Line 20 Character and 4 Line 40 Character Selection Guide and Specifications (Indoor)

EZ Marquee Indoor Model Specifications					
Part Number	EZMR-4L20C \$1599 EZMR-4L20C-E \$1698 EZMR-4L20C-D \$1698 EZMR-4L20C-P \$1728 EZMRH-4L20C \$3199 EZMRH-4L20C-E \$3399 EZMRH-4L20C-D \$3399 EZMRH-4L20C-P \$3459	EZMT-4L20C \$1899 EZMT-4L20C-E \$1998 EZMT-4L20C-D \$1998 EZMT-4L20C-P \$2028	EZMR-4L40C \$2399 EZMR-4L40C-E \$2498 EZMR-4L40C-D \$2498 EZMR-4L40C-P \$2548 EZMRH-4L40C \$4799 EZMRH-4L40C-E \$4999 EZMRH-4L40C-D \$4999 EZMRH-4L40C-P \$5099	EZMT-4L40C \$3299 EZMT-4L40C-E \$3398 EZMT-4L40C-D \$3398 EZMT-4L40C-P \$3448	
Display Type for Indoor	RED LED	TRI-Color LED	RED LED	TRI-Color LED	
Display Type for "H"	RED Sunlight Readable 8000 nits		RED Sunlight Readable 8000 nits		
Specification	4 Lines of 20 Char (2")		4 Lines of 40 Char (2")		
Max. Viewable Distance	400 Feet with 8" Characters				
Power Consumption	55 watts	100 watts	100 watts	180 watts	
Agency Approvals	UL, CUL, CE, pending				
Enclosure	NEMA 12 (Indoor only)				
Operating Temperature	0° to 60° C Ambient				
Storage Temperature	-40° to 95° C Ambient				
Humidity	10% to 95% RH, Non-Condensing				
Input Power	110/220 VAC, 47-63Hz				
Electrical Interference	NEMA ICS 2-230 Showering Arc Test				
Electrical Tolerance	ANSI C37.90a-1974 (SWC) Surge With-Stand Capability Test				
Vibration	5 - 55 Hz 2G for 2 hours in the X, Y, and Z axis				
Shock	10G for under 12ms in the X, Y, and Z axis				
Serial Communications	Port 1 RS232; Port 2 RS422/485				
External Dimensions	36.577" x 11.720" x 2.750" (929.06 x 297.69 x 69.85mm)		72.450" x 11.720" x 2.750" (1840.24 x 297.69 x 69.85mm)		
Weight	15 lbs	16 lbs	30 lbs	32 lbs	