

EZMarquee - 4 Lines 40 Characters (Outdoor)

4 Lines 40 Characters - NEMA 4X

The 4 Line 40 Char EZMarquee can hold up to a maximum of 40 characters (2") per line and features 4 lines of RED/Tri-Color LEDs. EZMarquees are enclosed in NEMA 4X extruded aluminum housing with NEMA ICS 2-230 level of electrical noise immunity.

All 4 Line 40 Character models are capable of communicating over RS232 and RS422/485 along with different models for Ethernet, DeviceNet and Profibus connectivity.

Characteristics:

Character Height: 2" / 4" / 6" / 8"
 Characters per Line: 40 / 20 / 13 / 10
 Number of Lines: 4 / 2 / 1 / 1
 Visibility: 100' / 200' / 300' / 400'

4 Lines 40 Characters feature:

- 4 lines of 40 characters max
- Pre-matched LEDs
- 24 Hour Burn-In tested
- International Character Set
- Hang Mounting
- NEMA 4/4X Outdoor Housing
- NEMA ICS 2-230
- 110/220 VAC Power Input
- Surge Protection
- 100,000+ Hours Rated Life

See the different communication interface options available in the charts below



RED Outdoor

TRI color Outdoor

Model Number	Interface	Price	Del.
EZMR-4L40C-OUT	RS232 and RS422/485 only	\$4799	3DAY
EZMR-4L40C-E-OUT	Ethernet included	\$4999	3DAY
EZMR-4L40C-D-OUT	DeviceNet included	\$4999	3DAY
EZMR-4L40C-P-OUT	Profibus included	\$5099	3DAY

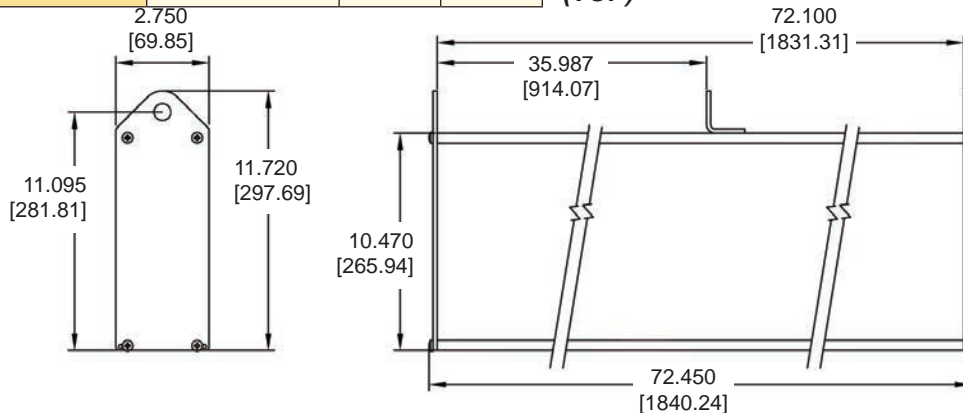
Model Number	Interface	Price	Del.
EZMT-4L40C-OUT	RS232 and RS422/485 only	\$6598	3DAY
EZMT-4L40C-E-OUT	Ethernet included	\$6799	3DAY
EZMT-4L40C-D-OUT	DeviceNet included	\$6799	3DAY
EZMT-4L40C-P-OUT	Profibus included	\$6899	3DAY

Model Number	Interface	Price	Del.
EZMRH-4L40C-OUT	RS232 and RS422/485 only	\$7199	3DAY
EZMRH-4L40C-E-OUT	Ethernet included	\$7499	3DAY
EZMRH-4L40C-D-OUT	DeviceNet included	\$7499	3DAY
EZMRH-4L40C-P-OUT	Profibus included	\$7649	3DAY

RED Outdoor Highbright

(BOTTOM)

4 Lines 40 Characters Dimensions



(TOP)



EZMarquee 4 Line 20 Character and 4 Line 40 Character Selection Guide and Specifications (Outdoor)

EZ Marquee Outdoor Model Specifications					
Part Number	EZMR-4L20C-OUT \$3199 EZMR-4L20C-E-OUT \$3399 EZMR-4L20C-D-OUT \$3399 EZMR-4L20C-P-OUT \$3459 EZMRH-4L20C-OUT \$4799 EZMRH-4L20C-E-OUT \$5099 EZMRH-4L20C-D-OUT \$5099 EZMRH-4L20C-P-OUT \$5189	EZMT-4L20C-OUT \$3798 EZMT-4L20C-E-OUT \$3999 EZMT-4L20C-D-OUT \$3999 EZMT-4L20C-P-OUT \$4059	EZMR-4L40C-OUT \$4799 EZMR-4L40C-E-OUT \$4999 EZMR-4L40C-D-OUT \$4999 EZMR-4L40C-P-OUT \$5099 EZMRH-4L40C-OUT \$7199 EZMRH-4L40C-E-OUT \$7499 EZMRH-4L40C-D-OUT \$7499 EZMRH-4L40C-P-OUT \$7649	EZMT-4L40C-OUT \$6598 EZMT-4L40C-E-OUT \$6799 EZMT-4L40C-D-OUT \$6799 EZMT-4L40C-P-OUT \$6899	
Display Type for Indoor	RED LED	TRI-Color LED	RED LED	TRI-Color LED	
Display Type for "H"	RED Sunlight Readable 8000 nits		RED Sunlight Readable 8000 nits		
Specification	4 Lines of 20 Char (2")		4 Lines of 40 Char (2")		
Max. Viewable Distance	400 Feet with 8" Characters				
Power Consumption	55 watts	100 watts	100 watts	180 watts	
Agency Approvals	UL, CUL, CE, pending				
Enclosure	NEMA 4/4X (Outdoor rated)				
Operating Temperature	-20° to 60° C Ambient				
Storage Temperature	-40° to 95° C Ambient				
Humidity	10% to 95% RH, Non-Condensing				
Input Power	110/220 VAC, 47-63Hz				
Electrical Interference	NEMA ICS 2-230 Showering Arc Test				
Electrical Tolerance	ANSI C37.90a-1974 (SWC) Surge With-Stand Capability Test				
Vibration	5 - 55 Hz 2G for 2 hours in the X, Y, and Z axis				
Shock	10G for under 12ms in the X, Y, and Z axis				
Serial Communications	Port 1 RS232; Port 2 RS422/485				
External Dimensions	36.577" x 11.720" x 2.750" (929.06 x 297.69 x 69.85mm)		72.450" x 11.720" x 2.750" (1840.24 x 297.69 x 69.85mm)		
Weight	15 lbs	16 lbs	30 lbs	32 lbs	